

Specifications:

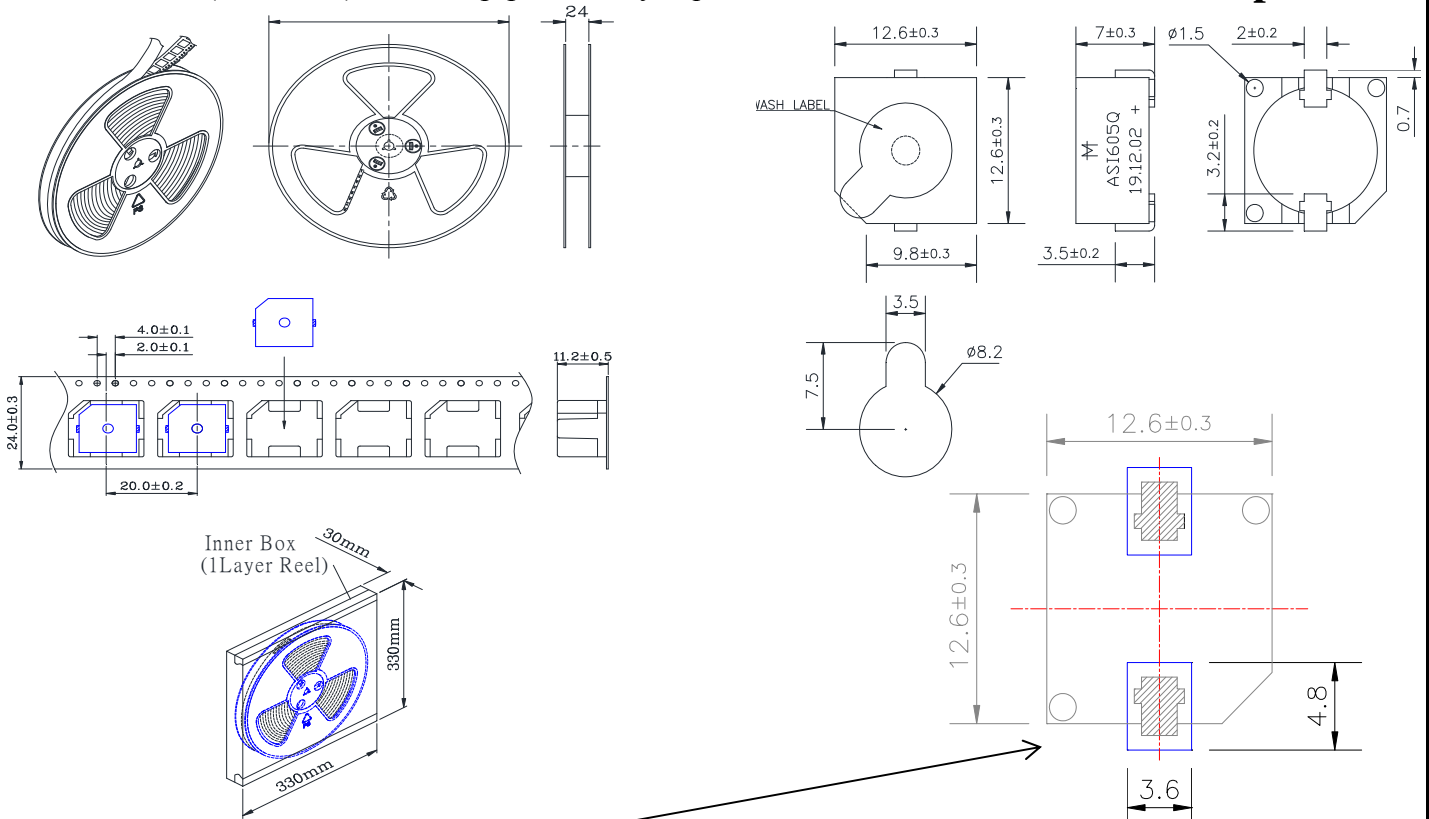
NO CIRCUITRY

Oscillation Frequency (Hz)	2400 ± 400
Operating Voltage (Vp-p/max)	4.0 ~ 7.0
Rated Voltage (Vp-p)	5.0
Current Consumption Max. (mA)	50 at Rated Voltage
Sound Pressure Level Min. (dB/min)	87 at 10cm at Rated Voltage
Coil Resistance (Ω)	45 ± 8
Operating Temperature (°C)	-40 ~ +85
Storage Temperature (°C)	-40 ~ +85
Housing	PPO plastic resin (Color: Gray)
Type of Connection	SMD
Weight (Grams)	2.2
Condition by reflow soldering (°C)	250 ± 5 / within 5 sec
Condition by hand soldering (°C)	350 ± 20 / within 5 sec
Options	For other options contact factory

Dimensions: (units: mm)

Vp-p = 1/2 duty, square wave

ROHS Compliant



Recommended PCB Layout:

Packaging:

Parts are supplied on reels (300 pcs per tape and reel).
 Units come with wash label and are appropriate for aqueous wash.